

Concealed single-lever mixer with integrated shower connection with hand shower set without hand shower - Matte Black

IMO

36 002 970



- metal shower hose 1750mm with integrated anti-twist protection
- This article does not include a hand shower!**
- Intrinsic protection against back flow.**

This article does not include a hand shower!
Intrinsic protection against back flow.

Fits: IMO, LULU, MADISON, MEM, TARA, CL.1, LISSÉ, VAIA, META, CYO

	Matte Black	36 002 970-33
	Chrome	36 002 970-00
	Brushed Platinum	36 002 970-06
	Platinum	36 002 970-08
	Dark Chrome	36 002 970-19
	Brushed Light Gold	36 002 970-27
	Brushed Durabrass (23kt Gold)	36 002 970-28
	Brushed Bronze	36 002 970-42
	Brushed Champagne (22kt Gold)	36 002 970-46
	Champagne (22kt Gold)	36 002 970-47
	Brushed Chrome	36 002 970-93
	Brushed Dark Platinum	36 002 970-99

Required miscellaneous



Concealed wall mounting - 35 050 970 90
 •max. recess depth 105 mm
 •min. recess depth 80 mm

Required miscellaneous



Hand shower - Matte Black 28 017 979-33

Required miscellaneous



Hand shower - Matte Black 28 012 979-33

Required miscellaneous



Hand shower - Matte Black 28 018 979-33

Required miscellaneous



Hand shower FlowReduce - Matte Black 28 012 979-33 0010

Required miscellaneous



Hand shower - Matte Black 28 016 979-33

Required miscellaneous



Hand shower FlowReduce - Matte Black 28 016 979-33 0010

Required miscellaneous

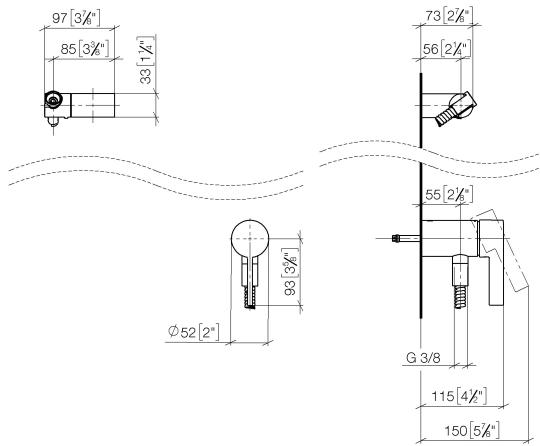


Hand shower FlowReduce - Matte Black 28 018 979-33 0010

Concealed single-lever mixer with integrated shower connection with hand shower set without hand shower - Matte Black

IMO

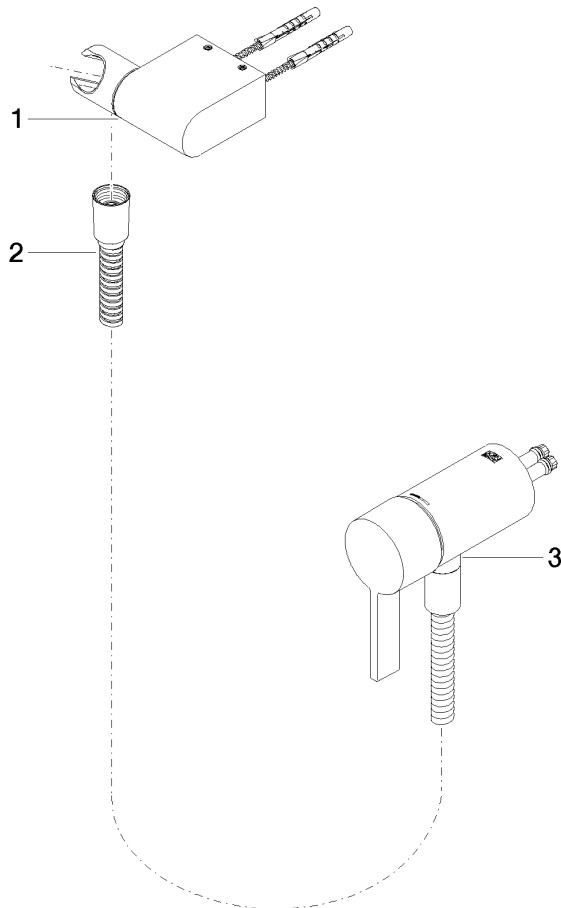
36 002 970
mm [inches]



Certificates

Belgaqua_21-025- WRAS_2011027. LGA_29928.
27_1.

36 002 970



Spare parts list

No.	Item Number	Name	Quantity used	Delivery time
1	28 060 970-33	Wall bracket swivel - Matte Black	1	30
2	28 322 970-33	Metal shower hose 1/2" x 3/8" x 1750 mm - Matte Black	1	2
3	36 050 970-33	Concealed single-lever mixer with integrated shower connection - Matte Black	1	30